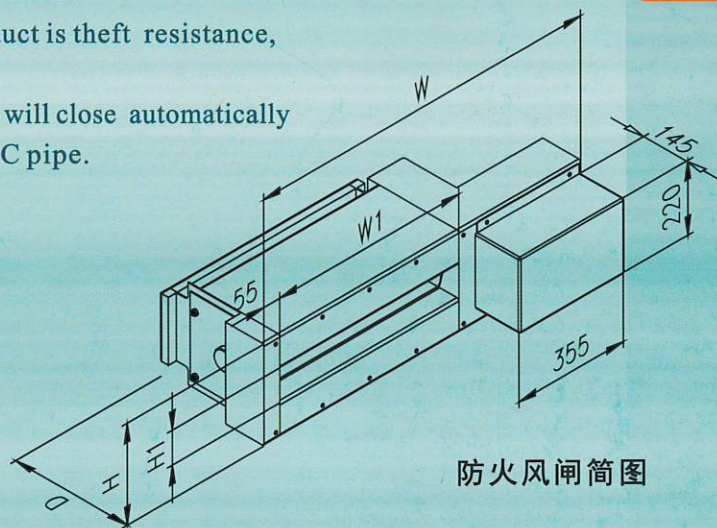


## 防火风闸

- 专门为冷气管道设计, 具有防盗、防火、防烟功能;
- 当发生火警切断电源后风闸自动关闭, 防止浓烟火通过冷气管道蔓延至库房内;
- 选用进口电器配件。

## SECURE VENTILATION SYSTEM

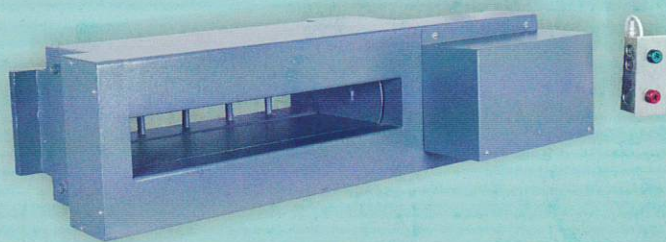
- It's specially designed for A/C pipe. This product is theft resistance, fire proof, and smoke proof;
- In case of fire when the power shut off, the door will close automatically to prevent smoke from going through the A/C pipe.



防火风闸简图

防火风闸规格 (单位: mm)			
SPECIFICATION OF SECURE VENTILATION SYSTEM (UNIT: mm)			
参数 PARAMETER	型号 MODEL	PA-LF3	PA-LF4
外型尺寸 (WXHXD) (mm) EXTERNAL DIMENSION		1080X300X380	1400X410X480
冷气通道尺寸(mm) CLEAR OPENING		610X(W1)X100(H1)	910(W1)X150(H1)
推荐安装洞口尺寸(mm) WALL OPENING		1280(W2)X450(H2)	1600(W2)X560(H2)
总重量(Kg) TOTAL WEIGHT		100	150
电源 POWER		220V/33W	220V/45W

注: 风口深度D可按实际墙厚调整。  
Notice: The depth can be adjusted according to actual wall thickness.



风口型号规格 (单位: mm)			
SPECIFICATION OF VAULT VENTILATOR (mm)			
型号 MODEL	外形尺寸 EXTERNAL DIMENSION (W x H)(mm)	安装孔尺寸 WALL OPENING (W x H)(mm)	重量 WEIGHT (Kg)
PA-F1	376X620	500 X800	73
PA-F2	200 X310	350 X450	27

## 防盗进、排风口:

采用“Z”字形结构, 由优质钢板焊接而成, 外镶不锈钢板, 内装一台进口低噪音高速排气扇, 产品美观大方、防盗性强, 是金库换空气的首选产品。

## VAULT VENTILATOR

This product is secure and keeps the air fresh in the vault.

